

REPLACEMENT INSTRUCTIONS FOR HORIZON BOX AWNINGS

■ FABRIC ■ ROLLER TUBE
 on Models 977(XX)(XX).050 & 977(XX)(XX).051

■ **Tools and Supplies Required:**

Phillips Screwdriver	Pop Rivet Tool	Ladder
Electric Drill	3/16" Drill Bit	Round File
Duct Tape	3/16" Pop Rivets	
Instruction sheet		

A. GENERAL INSTRUCTIONS

For proper awning operation, the lead rail is under tension from the spring arm assemblies. Severe personal injury may result if the guidelines for these spring arm assemblies are not followed properly.

Service of the fabric roller tube assembly should be performed **ONLY** by a qualified service person.

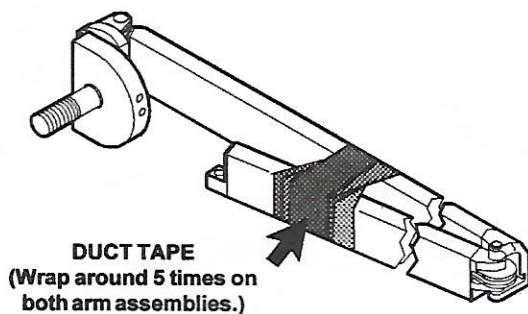
Read and understand the instructions before starting the replacement of a fabric.

B. HOW TO REMOVE ROLLER TUBE ASSEMBLY

Note: If the awning is installed on a coach, complete the following steps on a step ladder with the awning fabric unrolled approximately 12" from the awning rail.

1. Secure rafter assemblies with duct tape, wrapping it completely around arms a minimum of 5 times to keep the arms from springing out when fabric is removed. (See Fig 1)

FIG. 1



! WARNING

Use extreme care.

Spring arms under tension are dangerous. If not controlled they will spring forward possibly resulting in personal injury.

REVISION

Form No. 3104313.014 9/98

(Replaces 3104313.006)

©1998 The Dometic Corporation

LaGrange, IN 46761

Note: All work being done to remove the fabric will be from the right side of the awning as you are facing it.

2. Using a 3/16" drill bit, drill out the two pop rivets from the right hand lead rail end plate (See Fig 2). Remove end plate from lead rail.

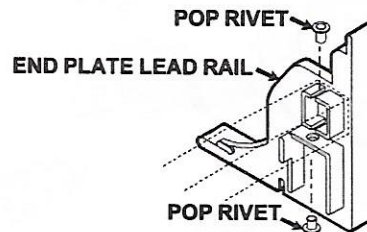
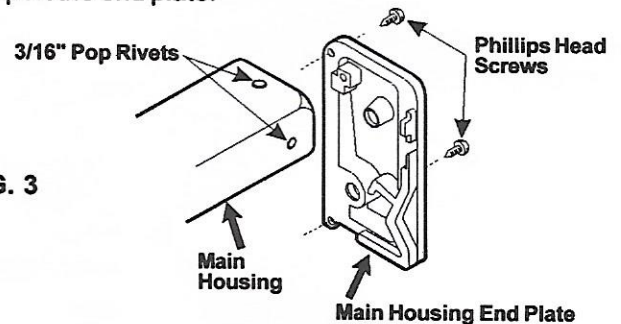


FIG. 2

Remove the two Phillips head screws and two pop rivets from the right hand main housing. (See Fig 3) Remove end plate from main housing. Slide end plate out and let the spring arm support the end plate.

FIG. 3



4. Remove TEK screws from each end of the fabric on the top side of the lead rail.
5. Using two people, gently slide roller tube fabric assembly from the case and the lead rail.

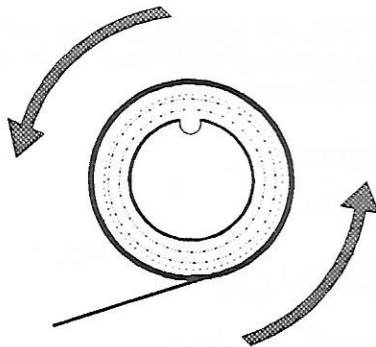
C. HOW TO REMOVE FABRIC FROM ROLLER TUBE

1. Unroll awning completely on a clean, smooth surface.
2. Remove TEK screws from each end of roller tube.
3. With the awning laying flat, slide the roller tube out from the fabric.

D. INSTALLING FABRIC ON ROLLER TUBE

1. Unfold the new fabric and lay it on top of the existing fabric in the exact same position. Be sure the new fabric is the correct size and color. If the roller tube is being replaced, make sure it is the correct length and position it the same as the original.
2. Guide the roller tube over the poly rope of the new fabric. Be careful not to damage the roller tube or the fabric.
3. Center the fabric on the roller tube and hand roll the entire assembly in the same direction as the original fabric. (See Fig 4) Clip ends of poly rope even with ends of roller tube. Secure with TEK screws.

FIG. 4



VIEW FROM RIGHT SIDE

E. REPLACING ROLLER TUBE ASSEMBLY IN CASE

Note: To prevent damage to new fabric during installation, the channel on the lead rail that the old fabric came out of should be filed smoothly and the end of case taped.

1. Gently slide roller tube assembly back into the main housing while guiding poly rope through lead rail. Be sure that the tube brush fits into the gear lid.
2. Replace main housing end plate and secure with two Phillips head screws and two 3/16" pop rivets.
3. Replace lead rail end plate and secure with two 3/16" pop rivets.
4. Center fabric at lead rail. Secure poly rope at lead rail with a TEK screw at each end.
5. Remove duct tape from rafter assembly and roll fabric back into case.
6. Open and close awning and adjust fabric at lead rail as needed to ensure proper roll-up alignment.



A&E Systems®
by Dometic

INSTRUCTIONS FOR REPLACEMENT OF HORIZON AWNING FABRIC

ON Models 977(XX)(XX).060, 977(XX)(XX).061, 977(XX)(XX).062 & 977(XX)(XX).065

TOOLS REQUIRED:

- | | |
|----------------------|--|
| Drill | 1/2" Socket & Ratchet |
| 1/8" Drill Bit | Step Ladder |
| Phillips Screwdriver | (3 ea.) 1/8" x 3/8" Aluminum Pop Rivet |
| Pop Rivet Tool | Gray Tape |

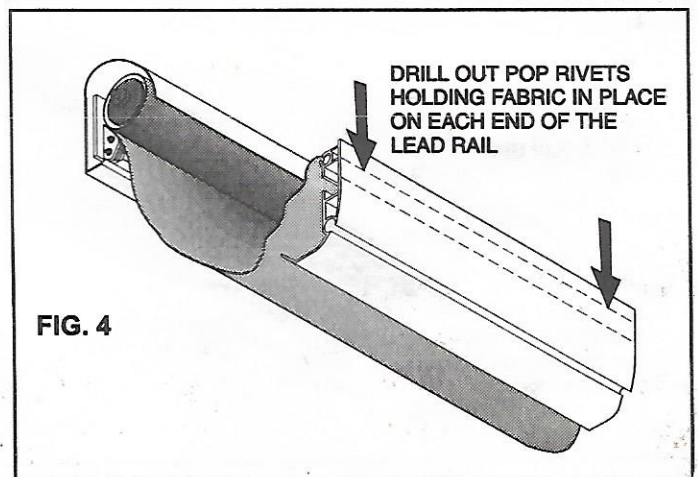
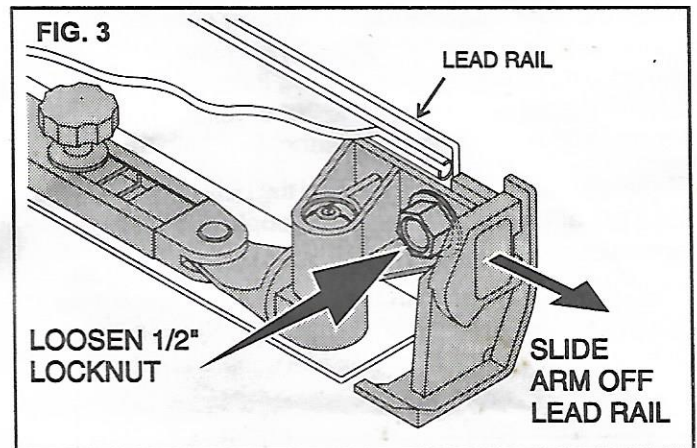
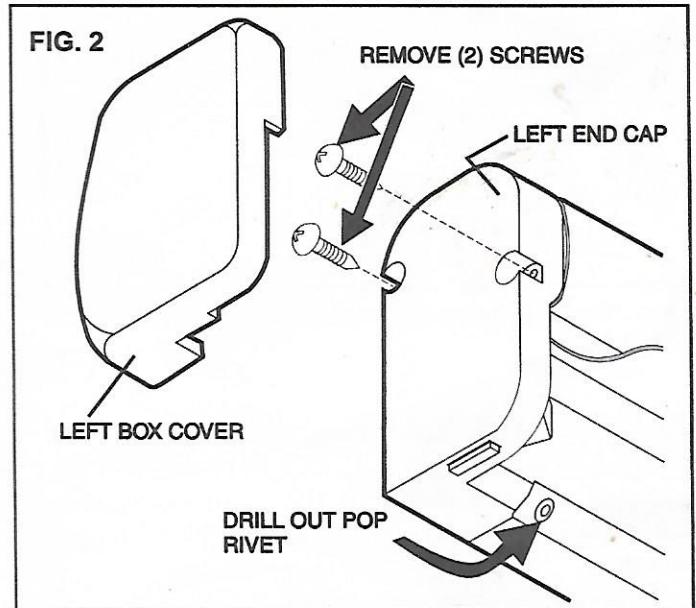
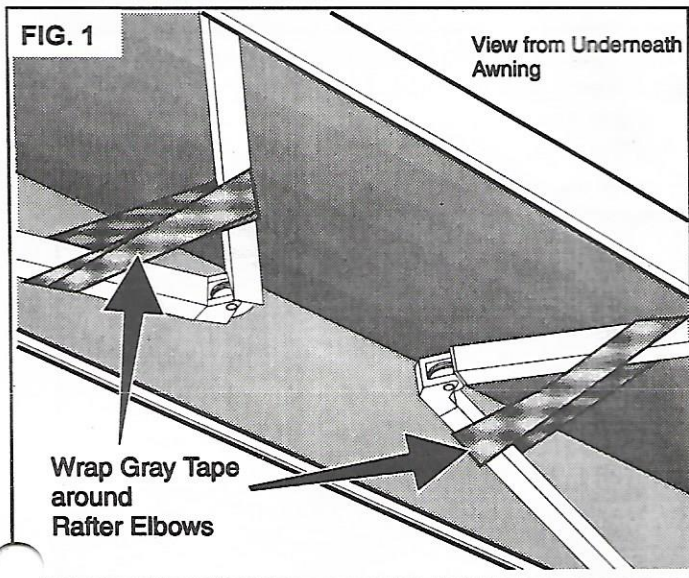
A. GENERAL INSTRUCTIONS

The fabric on a Horizon Box Awning can be changed with little effort, provided the servicer follows the procedure outlined in these instructions.

Read and understand the instructions before attempting to change the fabric.

B. FABRIC REMOVAL

1. Extend awning 18–20 inches.
2. Wrap gray tape around the rafter elbows to prevent them from extending. See FIG. 1.
3. Remove left box cover and expose the left end cap. See FIG. 2.
4. Drill out the 1/8" pop rivet and remove the screws that secure the end cap to the case. Remove end cap out of casing. See FIG. 2.
5. Mark location of rafters in lead rail.
6. Loosen the 1/2" locknut holding the rafter to the lead rail. Slide arm off lead rail. See FIG. 3.
7. Drill out 1/8" pop rivets that hold the fabric in place on each end of the lead rail. See FIG. 4.

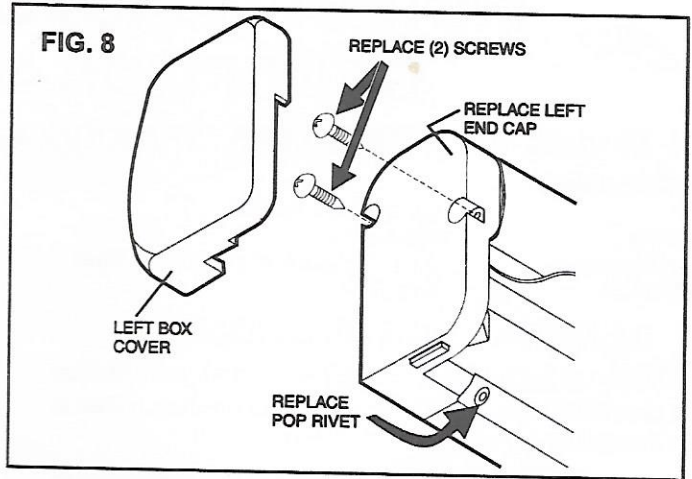
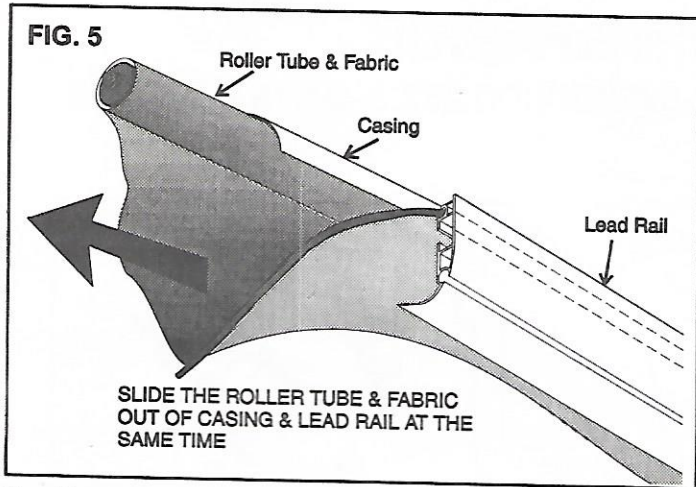


REVISION

Form No. 3106230.018 9/98
(Replaces 3106230.000)
©1998 The Dometic Corporation
LaGrange, IN 46761

- Grasp roller tube with fabric on it with left hand and the fabric next to lead rail. Slide the roller tube and fabric out of the casing and lead rail at the same time. See FIG. 5

- Replace left end cap. Be sure shaft of roller tube is in its proper place. Replace both screws and 1/8" pop rivet. See FIG. 8.

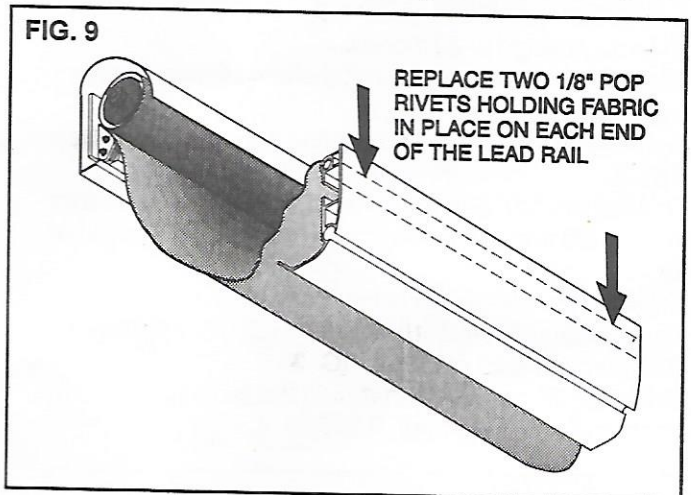


- Unroll the fabric on a clean surface. Slide the roller tube off the fabric.

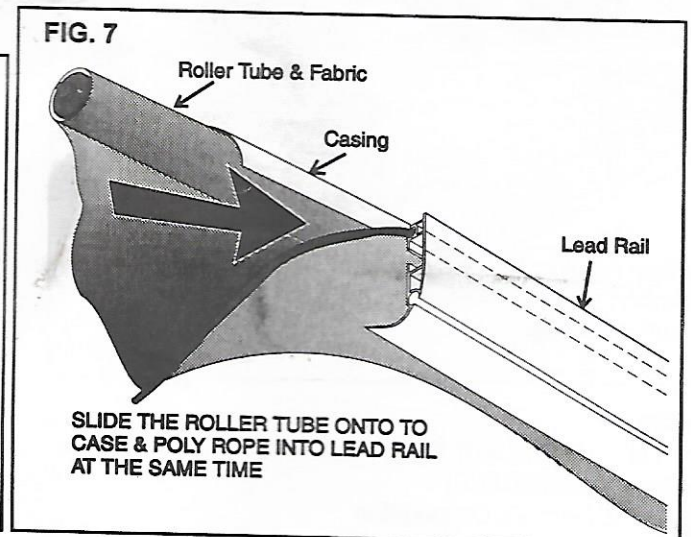
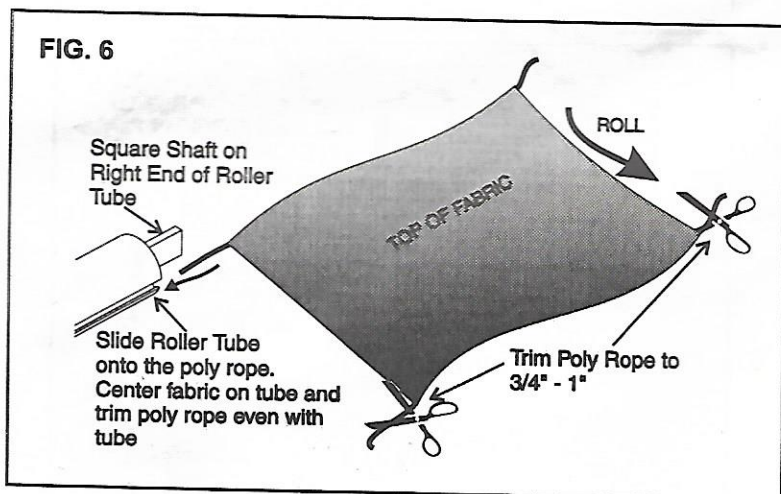
- Center fabric in the lead rail. Replace the two 1/8" pop rivets used to hold the fabric in place. See FIG. 9.

C. FABRIC REPLACEMENT

- Lay replacement fabric on top of original fabric. This will prevent damage to new fabric. Make sure new fabric is correct size and color, and that the top of the fabric is facing up.
- Slide roller tube on the poly rope so the square shaft will be on the right side when fabric is roller onto the tube. Center fabric on roller tube and trim poly rope even with the roller tube. Roll fabric onto roller tube with bottom of fabric on outside. Leave 18" to 20" unrolled. Trim poly rope to 3/4" to 1" on unrolled fabric. See FIG. 6.
- Slide roller tube into the case and the poly rope into the lead rail at the same time. Two people will make this operation easier. See FIG. 7.
- Slide the square shaft on the roller tube in to the gear housing on right-hand end of case. It may be necessary to turn crank to align gear box and square shaft.



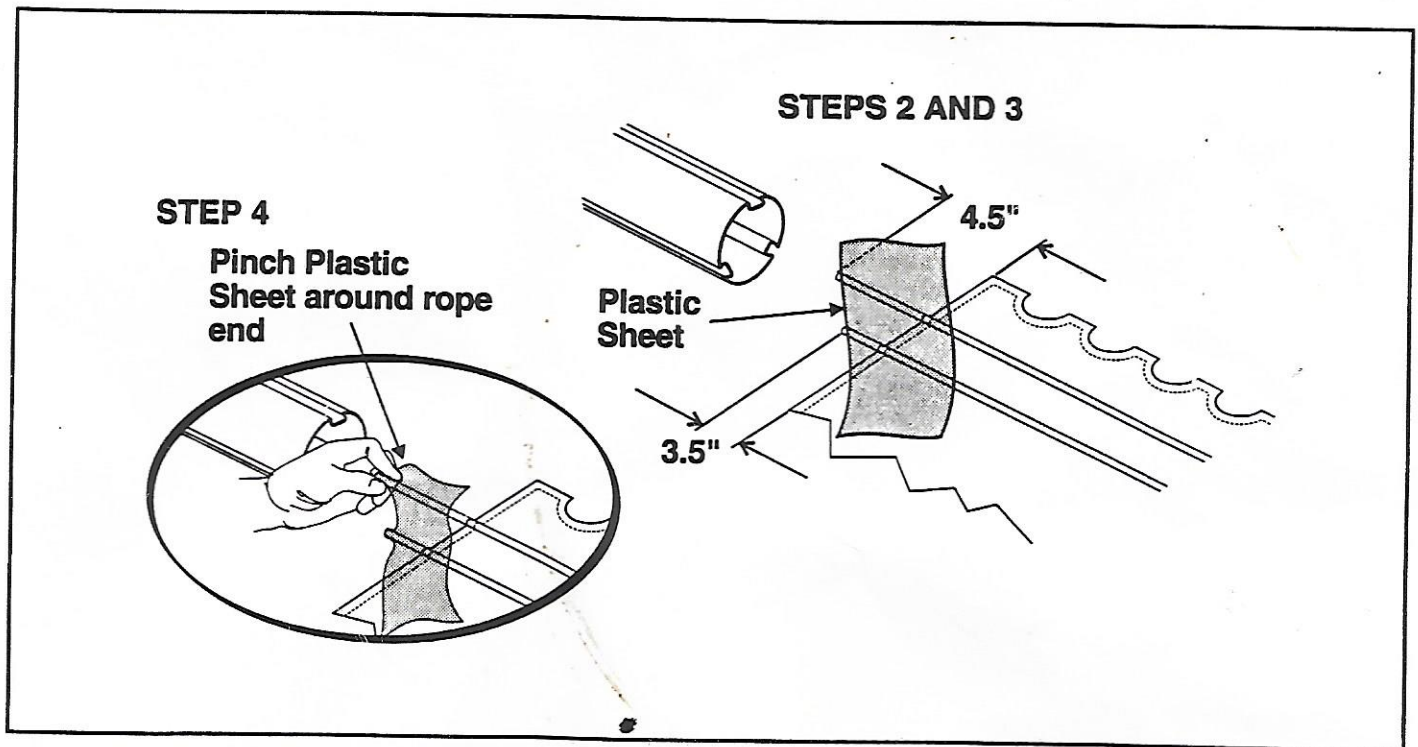
- Slide rafter into lead rail, align with marks made during fabric removal and tighten 1/2" lock nut.
- Replace end cap covers. Crank fabric onto roller tube until the pressure is off the tape. Remove tape and operate awning several times.





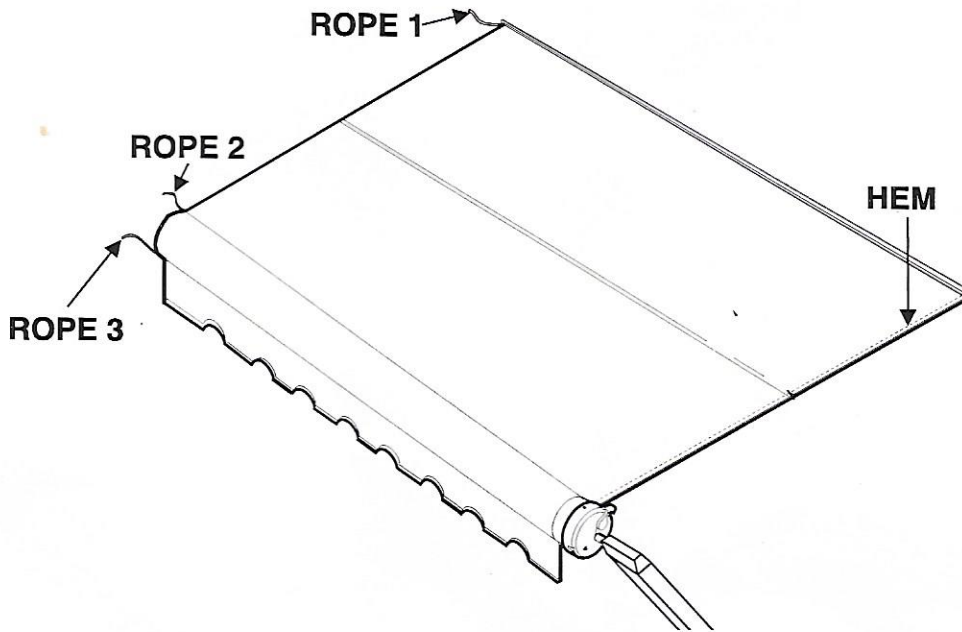
FABRIC INSTALLATION SUPPLEMENT

1. Lay fabric top-side down on a clean, flat surface free of debris that could damage fabric.
2. Cut ropes on left end of fabric as shown in illustration below.
3. Place clear plastic sheet, shiny side down, on top of ropes at end of fabric. Sheet should be at a slight angle as shown in illustration.
4. Pinch plastic sheet around end of longest rope and guide it into groove in roller tube. Insert rope about one to two inches.
5. Repeat process for shorter rope, being careful not to let longer rope come out of groove.
6. When both ropes are started in grooves, grasp roller tube firmly and pull onto fabric until the tube reaches side hem. Carefully tuck fabric and plastic sheet into grooves and around tube until tube can slide over hem. The plastic sheet will act as a funnel to guide fabric into grooves without letting the fabric touch metal edges.
7. Finish pulling tube onto fabric until tube is centered on fabric.
8. Pull plastic sheet off of roller tube and discard it.
9. Complete installation as described in fabric replacement instructions.



NOTICE

**IF THIS FABRIC IS USED FOR A
WARRANTY REPLACEMENT,
THIS FORM MUST BE COMPLETED
AND RETURNED WITH THE
FABRIC SWATCH AND WARRANTY CLAIM**



1. Draw the location of the defect on the above picture.
2. Nature of Defect (Describe): _____

3. Cut out the defective area from the fabric.
4. Return this sheet and the warranty claim to:

The Dometic Corporation
1052 West Chicago Road
Sturgis, MI 49091

IMPORTANT

Fabric Swatches must be returned with this completed form and the Warranty Claim. Fabrics with cuts, tears, abrasions are not considered warranty and will be rejected.